

ROTATING BEACONS



LAP Electrical Limited is a firmly established name in the manufacture of emergency lighting beacons.

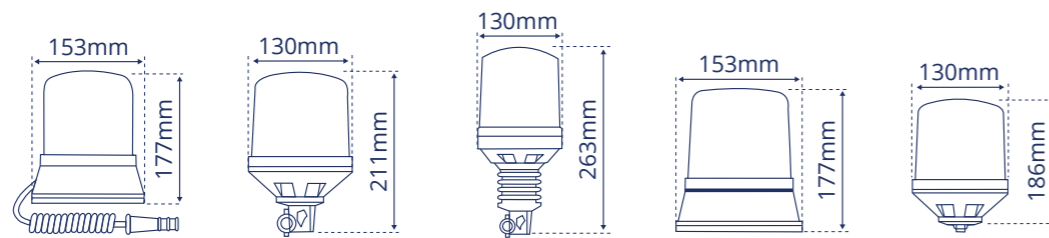
Our popular range of rotating beacons are designed to provide superior light output for maximum visibility.



Main Features

- 12V or Dual Voltage (12/24V) options
- 70mph rated on magnetic version
- IP56 rated ingress protection
- Current consumption: 4.6A @ 12V / 3.0A @ 24V
- -30°C to +50°C extreme temperature reliability
- Unique maintenance free direct drive mechanism provides low noise operation

Lens Colours Available



12V Model	LAP259	LAP269	LAP271	LAP254	LAP121
12/24V Model	LAP260	LAP270	LAP272	LAP255	LAP122
Fitting	Magnetic	DIN	Flexi DIN	3 Point	Single Point
Weight	1.1KG	0.8KG	0.8KG	0.5KG	0.7KG

ECE R65 Approval is appropriate to rotating beacons with either an Amber or Blue lens fitted. 12/24V Units are supplied without bulbs.

ROTATING BEACONS (RMB Range)



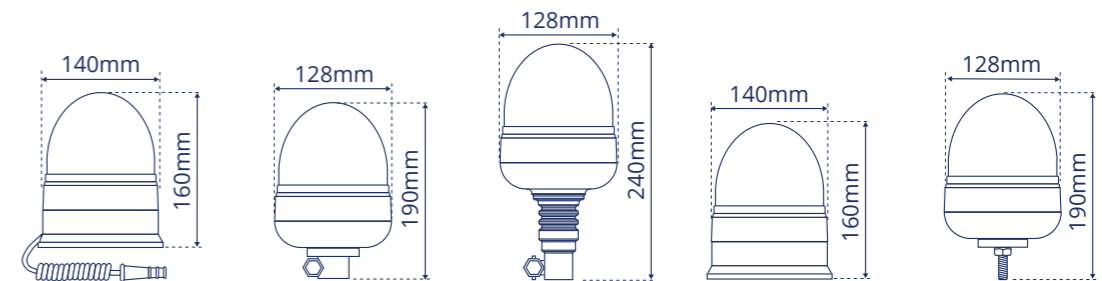
Our economical range of R65 approved rotating beacons are reliable and durable.



Main Features

- Dual Voltage (12/24V)
- 40mph rated on magnetic version
- IP56 rated ingress protection
- Supplied with 12V and 24V bulbs
- -15°C to +40°C extreme temperature reliability
- Maintenance free worm drive mechanism

Lens Colours Available



Part No.	RMB020	RMB030	RMB040	RMB050	RMB060
Fitting	Magnetic	DIN	Flexi DIN	3 Point	Single Point
Weight	0.7KG	0.6KG	0.6KG	0.5KG	0.5KG

ROTATING AND LED 'AGRI' BEACONS (RCB040 Range)

R10 1 YEAR WARRANTY

With a Flexi-DIN mounting and available in Rotating and LED models, our low-cost RCB beacons are ideal for agricultural applications.



Main Features - RCB040

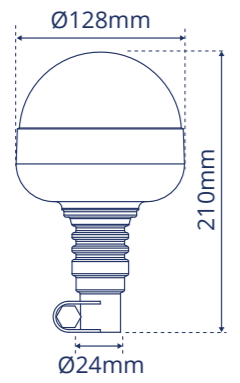
R65

- Dual Voltage (12/24V)
- IP56 rated ingress protection
- Lightweight (560g)
- Supplied with 12V and 24V bulbs
- -15°C to +40°C extreme temperature reliability
- Maintenance free worm drive mechanism



Main Features - RCB040LED

- Multi-voltage (10-30V)
- IP56 rated ingress protection
- Lightweight (560g)
- 40 LEDs that can operate in 3 selectable flash patterns – rotating, double flash and quad flash
- -15°C to +40°C extreme temperature reliability



Lens Colours Available



LED R65 BEACONS (LFB Range)

R65 **R10** 2 YEAR WARRANTY

The LFB range features a robust polycarbonate fresnel lens and 12 x 3W high performance LEDs that can operate in four flash patterns.

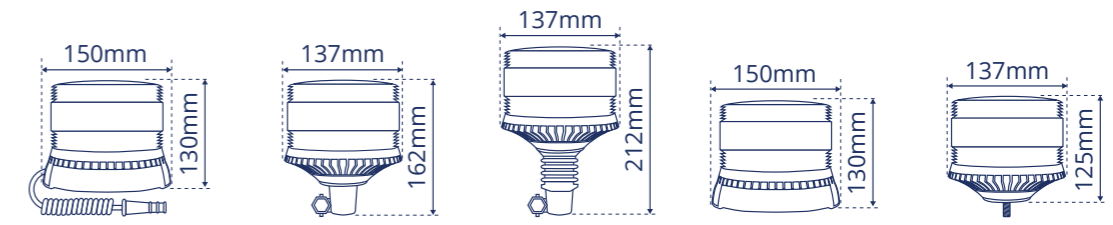


Main Features

- Multi-voltage (10-30V)
- 70mph rated on magnetic version
- IP56 rated ingress protection
- Nominal flash rate: 120 per minute
- 3-Point and single point models can be linked for synchronised flash
- Current consumption: 2.0A @ 12V / 1.3A @ 24V
- -30°C to +50°C extreme temperature reliability

**Double flash only on DIN and Flexi-DIN models*

Lens Colours Available



Part No.	LFB020	LFB030	LFB040	LFB050	LFB060
Fitting	Magnetic	DIN	Flexi DIN	3 Point	Single Point
Weight	1.2KG	0.7KG	0.9KG	0.7KG	0.7KG

LED R65 BEACONS (LRB Range)



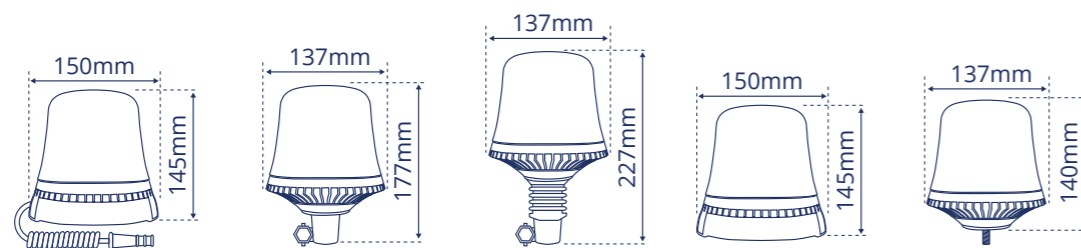
We have combined the latest LED technology with advanced optics to provide this unique ECE Reg 65 LED beacon. The powerful LEDs are arranged to produce a brilliant 360 degree flash pattern to provide superior light output for maximum visibility.



Main Features

- Multi-voltage (10-30V)
- 70mph rated on magnetic version
- IP56 rated ingress protection
- Nominal flash rate: 120 per minute
- Very low power consumption
- Double flash
- Current consumption: 2.0A @ 12V / 1.3A @ 24V
- -30°C to +50°C extreme temperature reliability

Lens Colours Available



Part No.	LRB020	LRB030	LRB040	LRB050	LRB060
Fitting	Magnetic	DIN	Flexi DIN	3 Point	Single Point
Weight	1.4KG	0.9KG	1.1KG	0.9KG	0.9KG

LED R65 BEACONS (LTB Range)

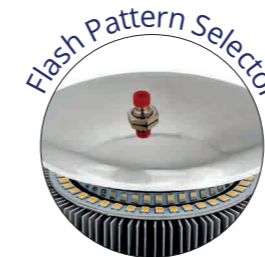


Our new economical LTB range combines 45 ultra-bright LEDs with advanced optics to provide R65 approved light output.

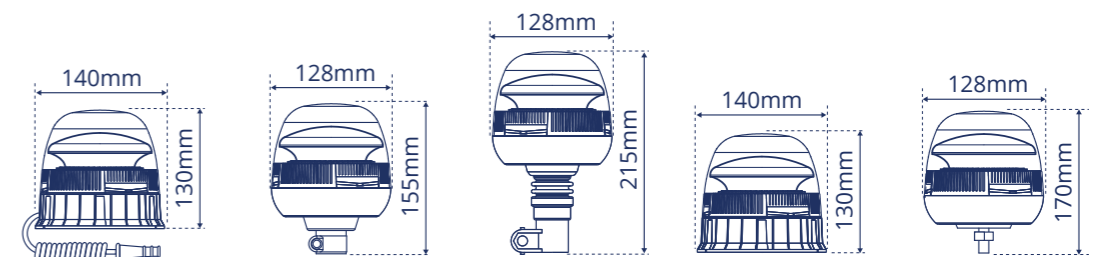


Main Features

- Dual Voltage (12/24V)
- 40mph rated on magnetic version
- IP56 rated ingress protection
- 2 selectable flash patterns – double flash (R65 approved) and simulated rotating
- Current consumption: 2A @ 12V, 1A @ 24V
- -30°C to +50°C extreme temperature reliability



Lens Colours Available



Part No.	LTB020	LTB030	LTB040	LTB050	LTB060
Fitting	Magnetic	DIN	Flexi DIN	3 Point	Single Point
Weight	0.8KG	0.7KG	0.8KG	0.7KG	0.7KG

LED R65 LOW PROFILE BEACONS (LPB Range)



The LPB Range features a low profile polycarbonate lens with a robust aluminium base and 12 x 3W high performance LEDs that can operate in three flash patterns including simulated rotating.



Main Features

- Dual Voltage (12/24V)
- 70mph rated on magnetic version
- IP56 rated ingress protection
- Double flash & rotating patterns meet R65 (amber and clear models only)
- Current consumption: 1.8A @ 12V / 24V
- -30°C to +50°C extreme temperature reliability
- Clear lens model – amber flash LEDs



Lens Colours Available



Part No.	LPB020	LPB040	LPB050	LPB060
Fitting	Magnetic	Flexi DIN	3 Point	Single Point
Weight	0.7KG	0.8KG	0.5KG	0.5KG

LED COMPACT BEACONS (LCB Range)



Our LED Compact Beacons feature 4 x 4W high powered LEDs with advanced optics and are ideal for off-road use whilst also being suitable for a variety of vehicle applications.

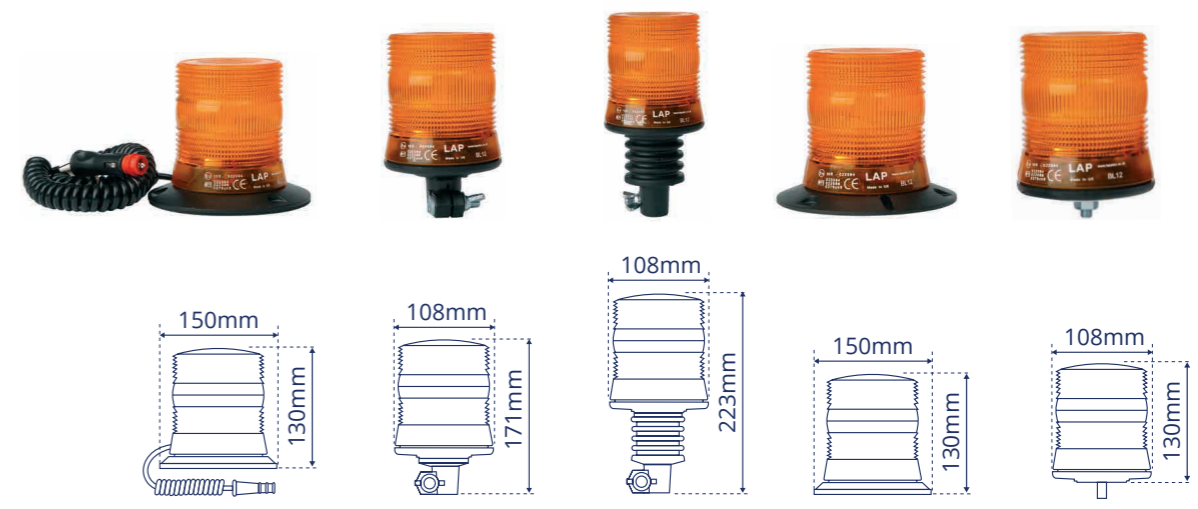


Main Features

- Multi-voltage (10-30V)
- 70mph rated on magnetic version
- IP56 rated ingress protection
- Nominal flash rate: 80 per minute
- Double flash
- Current consumption: 0.6A @ 12V / 0.3A @ 24V
- -30°C to +50°C extreme temperature reliability



Lens Colours Available



Part No.	LCB020	LCB030	LCB040	LCB050	LCB060
Fitting	Magnetic	DIN	Flexi DIN	3 Point	Single Point
Weight	1.0KG	0.5KG	0.6KG	0.4KG	0.4KG

LED BEACONS (LMB Range)

Our mid-range LED LMB beacons feature 40 LEDs that can operate in three flash patterns including simulated rotating.



Main Features

- Dual Voltage (12/24V)
- 40mph rated on magnetic version
- IP65 rated ingress protection
- Nominal flash rate: 120 per minute (rotating) and 75 per minute (double & quad)
- Current consumption: 1.2A @ 12V / 0.6A @ 24V
- 3 selectable flash patterns - rotating, double flash and quad flash
- Fully encapsulated electronics



Lens Colours Available



Part No.	LMB020	LMB030	LMB040	LMB050	LMB060
Fitting	Magnetic	DIN	Flexi DIN	3 Point	Single Point
Weight	0.6KG	0.5KG	0.5KG	0.4KG	0.5KG

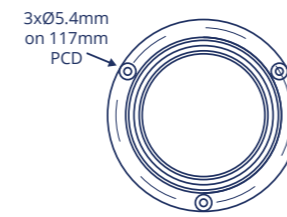
LED BEACONS (LSB Range)

Our LSB beacons are compact, economical and the multi-voltage model is ideal for material handling applications.

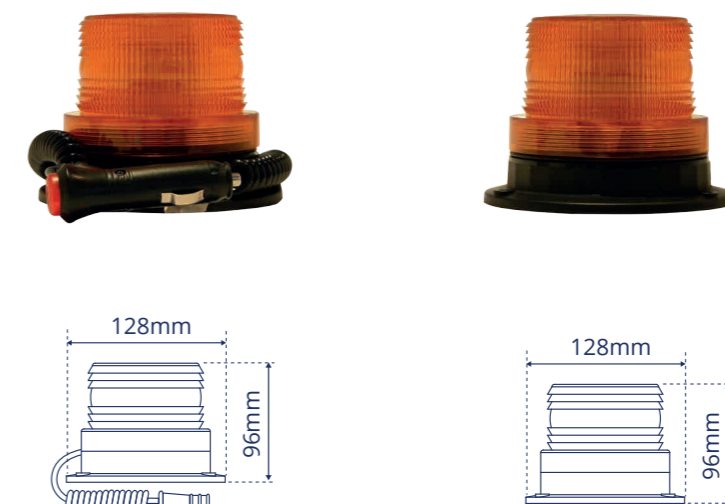


Main Features

- Dual Voltage (12/24V) and Multi-voltage (10-110V) models
- 40mph rated on magnetic version
- IP56 rated ingress protection
- 40 ultra-bright SMD LEDs (60 on MV model)
- PCD of 117mm (3 point model)
- -30°C to +50°C extreme temperature reliability
- 2 selectable flash patterns - rotating and quad flash



Lens Colours Available



Part No.	LSB020	LSBMV050
Fitting	Magnetic	3 Point
Weight	0.6KG	0.3KG

LED BEACONS (LLP and LLT Range)

R10 2 YEAR WARRANTY

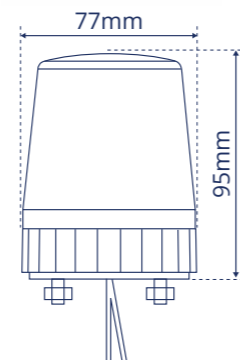
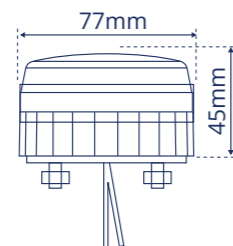
Our high performance, low profile LED Beacons are a cost effective solution for working vehicles of all types that require supplementary warning light devices.



Main Features

- Multi-voltage (10-100V)
- IP67 rated ingress protection
- Fully encapsulated electronics
- -30 to +50°C extreme temperature reliability
- Low power consumption (0.1 Amps)
- 4 flash patterns (static, single, double, quad)

Lens Colours Available



Part No.	LLPMV	LLTMV
Fitting	2 Point	2 Point
Weight	0.2KG	0.2KG

HIGH POWER XENON BEACONS (XHP Range)

R65 R10 1 YEAR WARRANTY

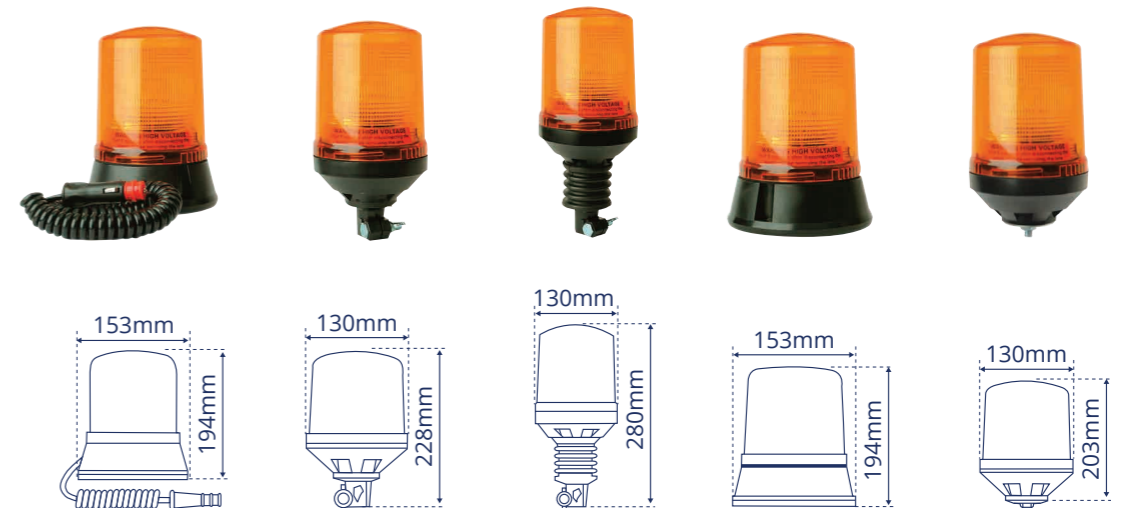
Our high power xenon beacons feature advanced fresnel optics coupled with a 14 Watt high intensity xenon discharge lamp which provides ECE R65 approved visual warning in single and double flash modes.



Main Features

- Dual Voltage (12/24V)
- 70mph rated magnetic version
- IP56 rated ingress protection
- Built-in option of either single or double flash
- Nominal flash rate: 125 per minute
- Current consumption: 2.0A @ 12V / 1.0A @ 24V
- -30°C to +50°C extreme temperature reliability

Lens Colours Available



Part No.	XHP020	XHP030	XHP040	XHP050	XHP060
Fitting	Magnetic	DIN	Flexi DIN	3 Point	Single Point
Weight	1.4KG	0.9KG	1.0KG	0.8KG	0.9KG

ECE R65 Approval is appropriate to XHP range when beacons are operated in a single or double flash mode and fitted with either an Amber or Blue lens.

XENON BEACONS (XNB Range)

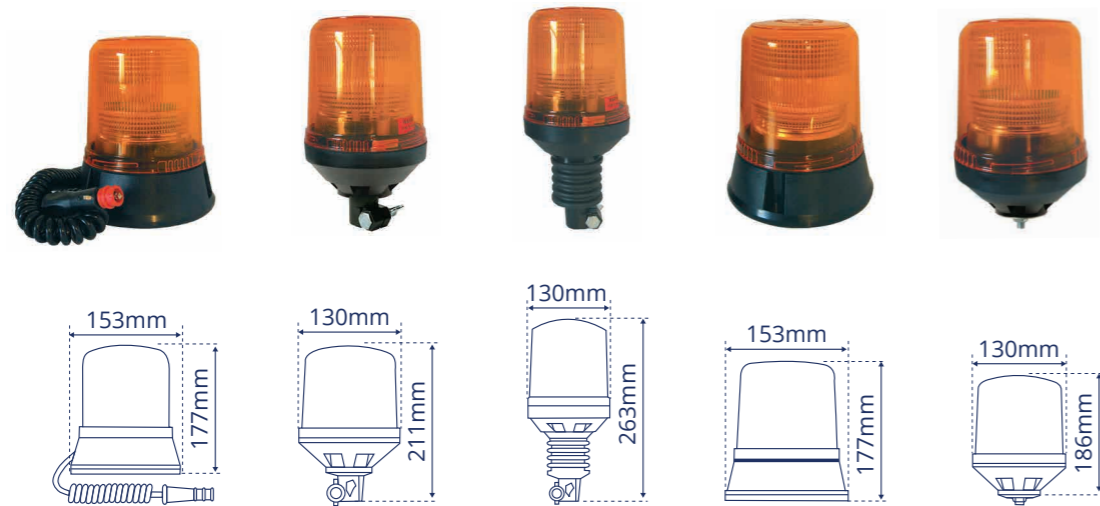
With a 7 Watt xenon lamp and inner fresnel lens, our XNB range provides high brightness visual warning in single and double flash modes.



Main Features

- Dual Voltage (12/24V)
- 70mph rated on magnetic version
- IP56 rated ingress protection
- Built-in option of either single or double flash
- Nominal flash rate: 125 per minute
- Current consumption: 1.6A @ 12V / 0.8A @ 24V
- -30°C to +50°C extreme temperature reliability

Lens Colours Available



Part No.	XNB020	XNB030	XNB040	XNB050	XNB060
Fitting	Magnetic	DIN	Flexi DIN	3 Point	Single Point
Weight	1.4KG	0.9KG	1.0KG	0.8KG	0.9KG

COMPACT XENON BEACONS (XCB Range)

Low power consumption and high durability make this range ideal for plant and contracting, agriculture, utility, fleet and forklift vehicles.



Main Features

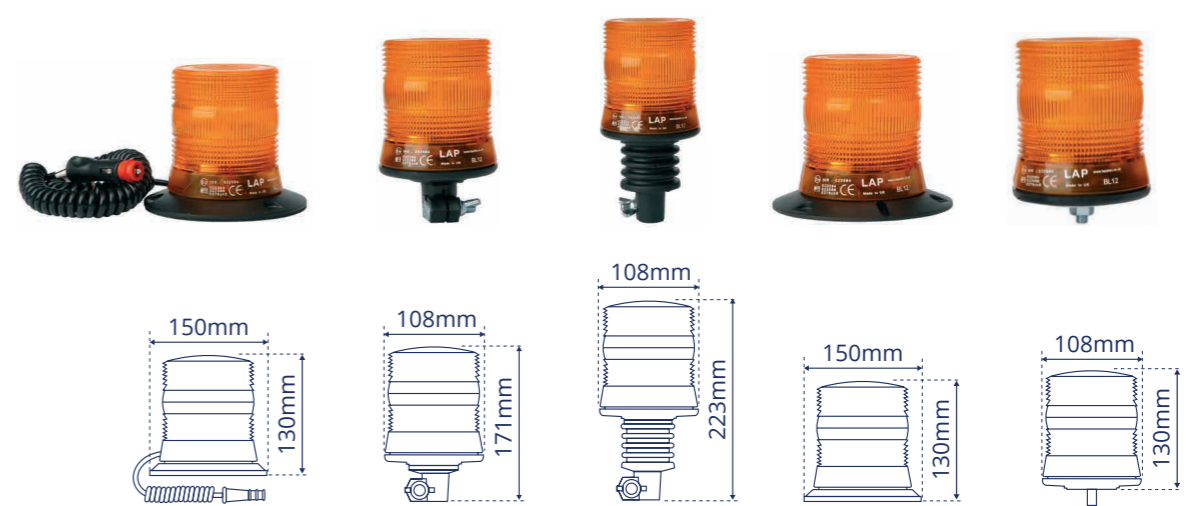
- Multi-voltage (10-100V)
- 70mph rated on magnetic version
- IP56 rated ingress protection
- Nominal flash rate: 75 per minute
- A choice of either 2 Watt or 6 Watt versions
- Sealed against dust and moisture ingress
- -30°C to +50°C extreme temperature reliability

CURRENT CONSUMPTION (A)

Voltage	12V	24V	48V	80V	100V
2W Models	0.18	0.15	0.06	0.03	0.02
6W Models	0.46	0.40	0.22	0.13	0.10

Our popular compact xenon beacons are now 10-100V compatible making them ideal for off-road, on-road and material handling applications.

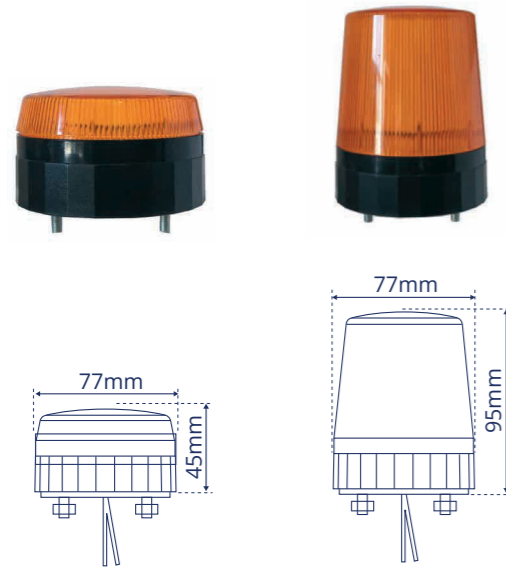
Lens Colours Available



2W Model	XCB0202	XCB0302	XCB0402	XCB0502	XCB0602
6W Model	XCB0206	XCB0306	XCB0406	XCB0506	XCB0606
Fitting	Magnetic	DIN	Flexi DIN	3 Point	Single Point
Weight	1.0KG	0.5KG	0.6KG	0.4KG	0.4KG

LOW PROFILE XENON BEACONS (DLP and DLT Range)

1 YEAR WARRANTY



Main Features

- EMC approved
- Multi-voltage (10-100V)
- IP67 rated ingress protection
- 2 & 5 Watt versions
- -30 to +50°C extreme temperature reliability
- Nominal flash rate: 75 per minute
- Single flash

Lens Colours Available



2W Model	DLP2MVA	DLT2MVA
5W Model	DLP5MVA	DLT5MVA
Fitting	2 Point	2 Point
Weight	0.2KG	0.2KG

CURRENT CONSUMPTION (A)						
Voltage	12V	24V	48V	80V	100V	
2W Models	0.18	0.16	0.12	0.09	0.07	
5W Models	0.26	0.23	0.15	0.12	0.01	

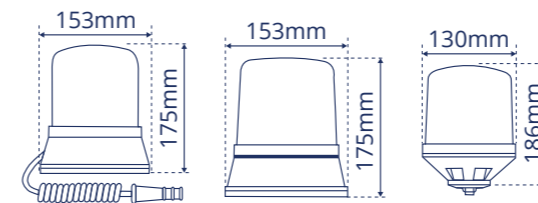
STATIC AIRPORT BEACONS

1 YEAR WARRANTY



Main Features

- EMC approved
- 70mph rated on magnetic version
- 12V and 24V models available
- IP56 rated ingress protection
- Amber model conforms to CAP168 regulations
- Single flash
- Nominal flash rate: 80 flashes per minute
- Current consumption: 1.0A @ 12V, 0.5A @ 24V



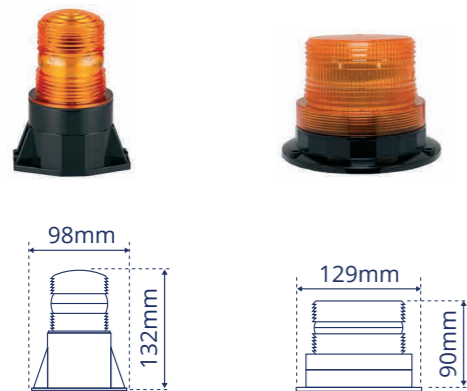
Lens Colours Available



12V Model	LAP223	LAP221	LAP225
24V Model	LAP224	LAP222	LAP226
Fitting	Magnetic	3 Point	Single Point
Weight	1.2KG	0.6KG	0.9KG

MULTI-VOLTAGE XENON BEACONS (XCBMV Range)

2 YEAR WARRANTY



Main Features

- EMC approved
- Multi-voltage (10-80V)
- IP67 rated ingress protection
- -30 to +50°C extreme temperature reliability
- Nominal flash rate: 75 per minute

Lens Colours Available



Part No.	XCBMV2111	XCBMV1611
Fitting	2 Point	3 Point
Weight	0.5KG	0.5KG

CURRENT CONSUMPTION (A)						
Voltage	12V	24V	48V	80V	100V	
2W Models	0.17	0.15	0.12	0.09	0.07	

INDUSTRIAL BEACONS

1 YEAR WARRANTY



Main Features

- IP56 rated ingress protection
- Dimensions: 153 (d) x 190 (h) mm
- 115Vac, 230Vac and 12/24Vdc versions
- Xenon Models - single/double flash
- Static flashing and rotating models - tungsten (115V & 230V) or halogen (12/24V) bulbs

Lens Colours Available



	XENON	STATIC	ROTATING
115V Model	LAP400	LAP411	LAP431
230V Model	LAP401	LAP412	LAP432
12/24V Model	LAP402	LAP462	LAP442
Fitting	3 Point	3 Point	3 Point
Weight	0.8KG	0.7KG	0.9KG